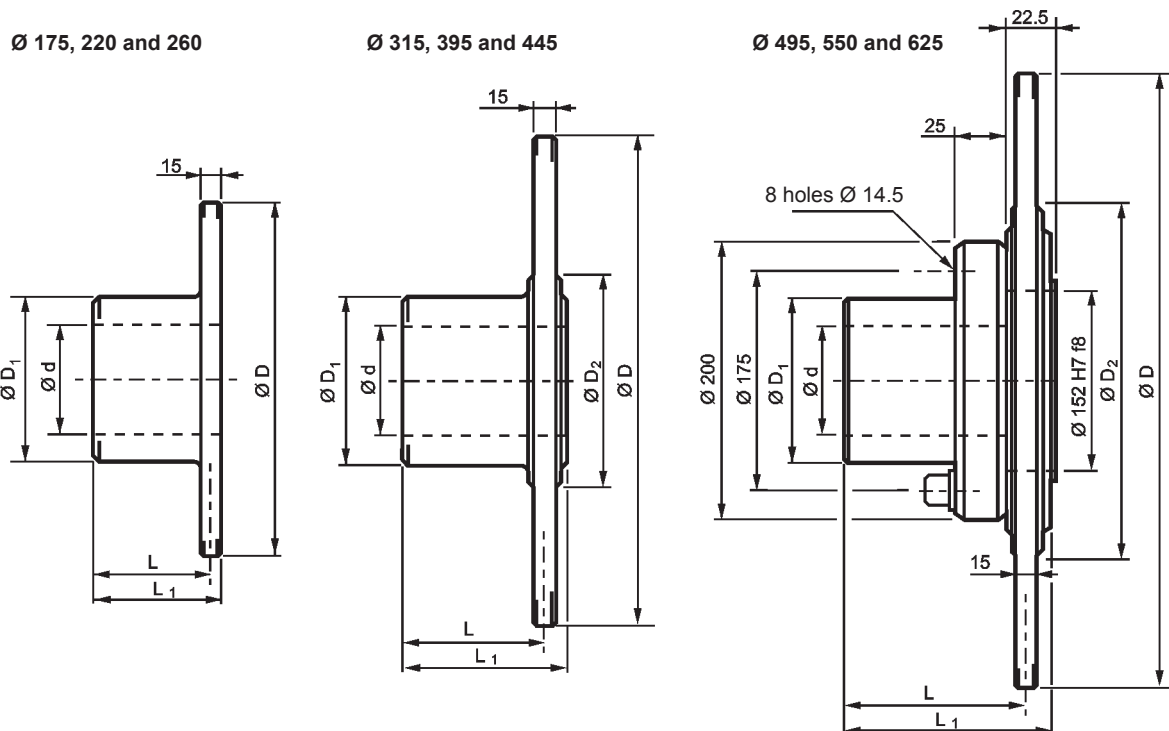


## Disc brakes

## Technical data and dimensions

### Solid discs

Thickness: 15 mm



Designation		175 P 15	220 P 15	260 P 15	315 P 15	395 P 15	445 P 15	495 P 15	550 P 15	625 P 15
J	kg/m <sup>2</sup>	0.01	0.03	0.06	0.13	0.30	0.48	0.77	1.16	1.93
Weight	kg	4	7.6	13	18	24	28	43	49	59
Maximum speed	tr/mn	5000	4300	3600	3000	2400	2100	1900	1800	1500
D	mm	175	220	260	315	395	445	495	550	625
D <sub>1</sub>	mm	75	95	120	120	120	120	150	150	150
D <sub>2</sub>	mm	-	-	-	130	200	207	257	312	387
L	mm	55	65	85	102	102	102	135	135	135
L <sub>1</sub>	mm	62.5	72.5	92.5	117	117	117	150	150	150
d max.	keyed mm	0-40	0-55	0-75	0-75	0-75	0-75	0-100	0-100	0-100
	shrink fit mm	40	65	80	80	80	80	100	100	100

Due to continuous development and improvement, all dimensions and characteristics are subject to change without notice.