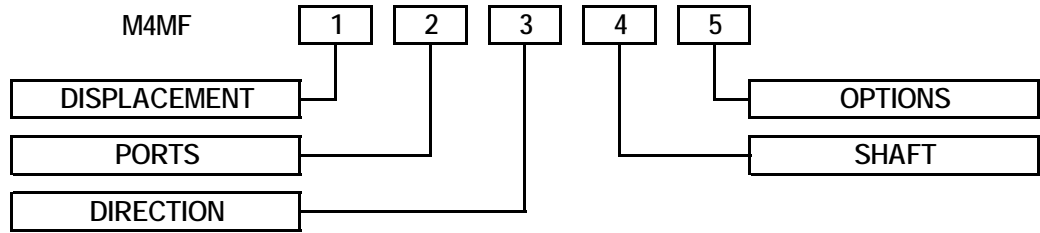
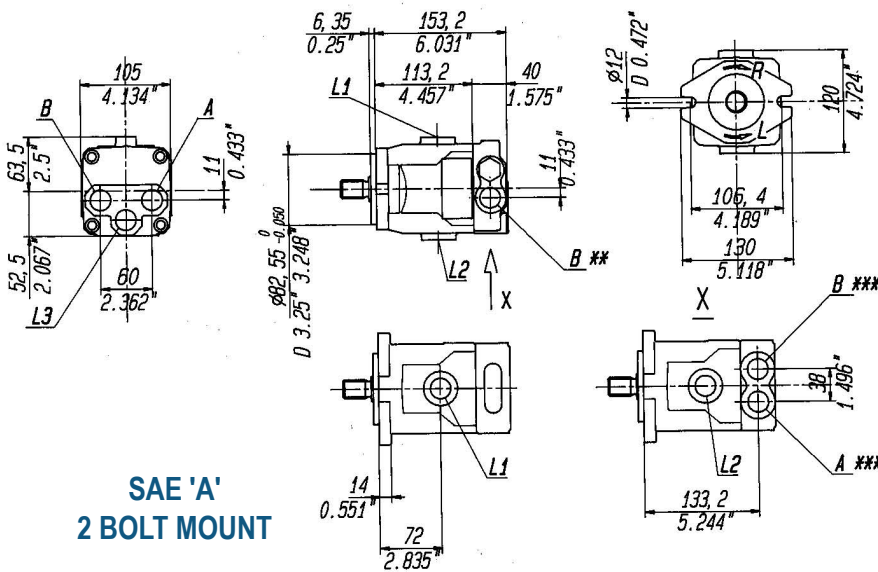


C12: 'M4MF' AXIAL PISTON MOTORS

HOW TO ORDER



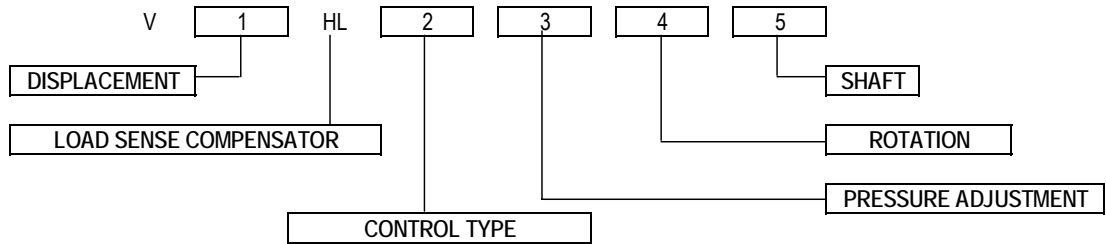
1	DISPLACEMENT	CODE	4	SHAFT	CODE
	cc/REV			7/8" Keyed	1
	21	21		1.0" Keyed	2
	28	28		7/8" 13 Tooth Splined	6
				1" 15 Tooth Splined	3
2	PORTS	CODE	5	OPTIONS	CODE
	Side & Rear Ports (Standard)			Purge Valve	V
	A & B on Rear	1			
	A & B on Opposite Sides	2			
	A & B on Side	3			
3	DIRECTION	CODE			
	Bi-Directional	B			



DISPLACEMENT	21	28
Max Speed Cont.	3600 rpm	
Max Speed Peak	4000 rpm	
Max Pressure Cont.	250 Bar	
Max Pressure Peak	350 Bar	
Max Case Pressure	1.5 Bar	
Weight	18Kg	
A & B PORT	1/2" BSPP	
L1 & L2 (DRAIN)	3/4" BSPP	

B10: 'V' LOAD SENSE AXIAL PISTON PUMPS

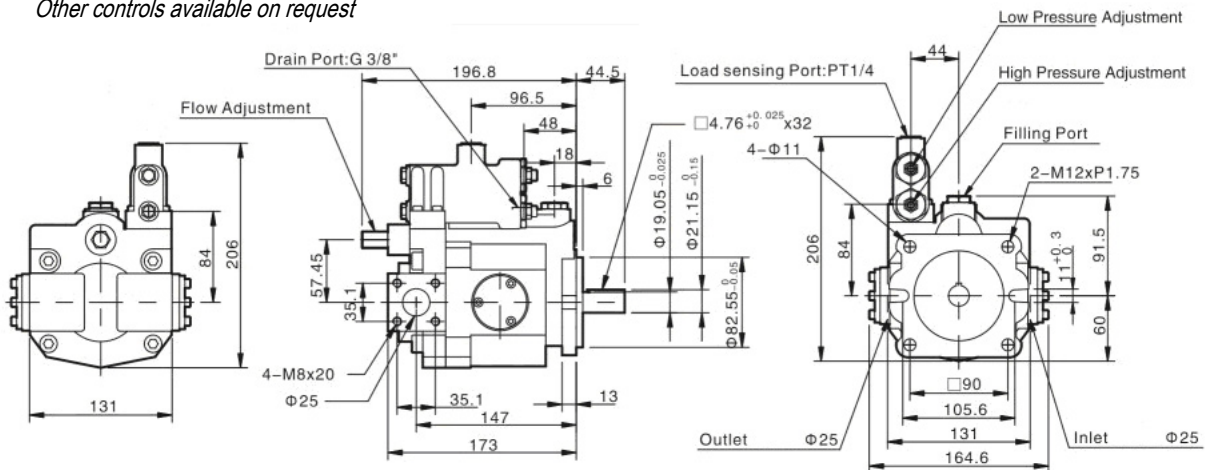
HOW TO ORDER



1	DISPLACEMENT	CODE	4	ROTATION	CODE
	cc/REV			Clockwise	R
	15	15		Anti-Clockwise	L
	18	18		viewed from shaft end	
2	CONTROL TYPE		5	SHAFT	CODE
	A			3/4" Keyed	BLANK
	B			7/8" 13T Splined	S
	C				
3	PRESSURE ADJUSTMENT	CODE			
	15 - 140 Bar	A2			
	35 - 250 Bar	A3			
	15 - 250 Bar	A4			

V15 & 18 Series Load Sense Compensated Pumps have:

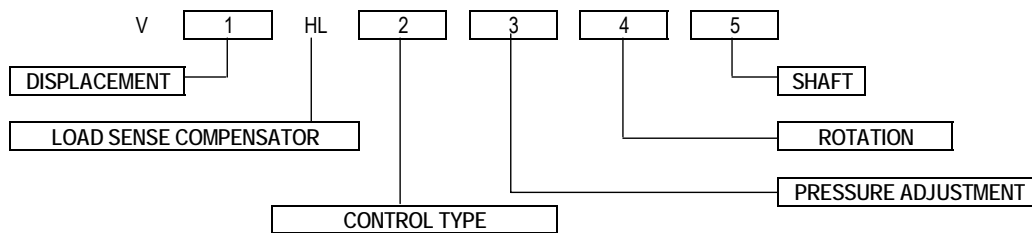
- SAE 'A' 2 Bolt Mount
- Flanged Ports
- Manual Stroke Limiter
- Other controls available on request



CODE	DISPLACEMENT cc/REV	MAX PRESSURE (Bar)	MIN SPEED rpm	MAX SPEED rpm	WEIGHT (Kg)
V15	14.8	250	600	1800	11.5
V18	17.8				

B11: 'V' LOAD SENSE AXIAL PISTON PUMPS

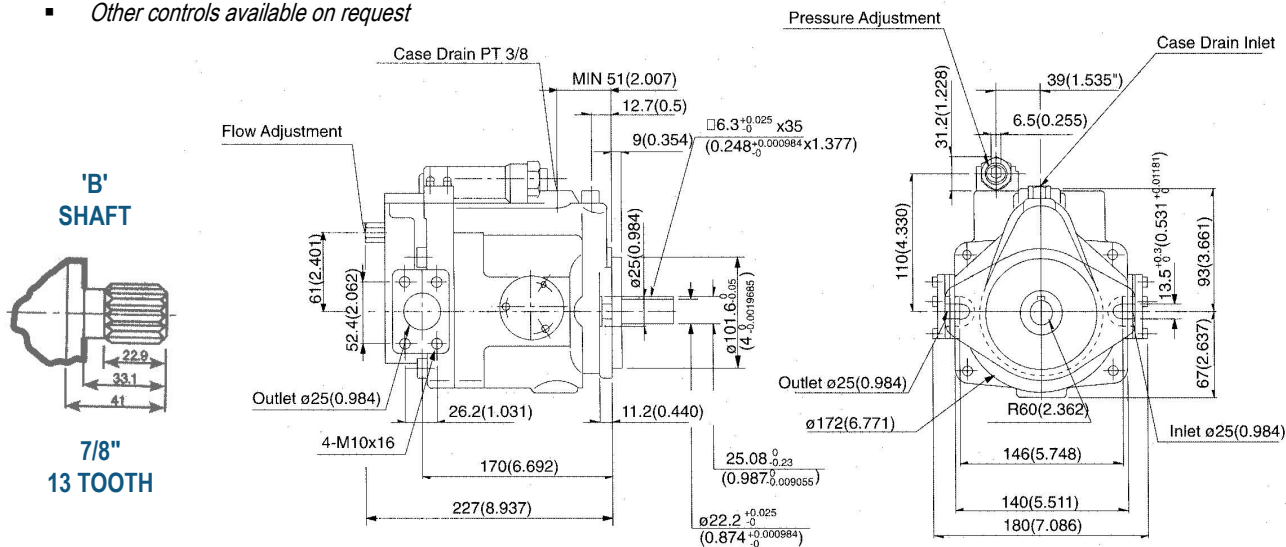
HOW TO ORDER



1	DISPLACEMENT	CODE	4	ROTATION	CODE
	cc/REV			Clockwise	R
	23	23		Anti-Clockwise	L
	38	38		viewed from shaft end	
2	CONTROL TYPE		5	SHAFT	CODE
	Load Sense	HL		7/8" Keyed	BLANK
	Other control available on request			7/8" 13T Splined	S
3	PRESSURE ADJUSTMENT	CODE			
	15 - 140 Bar	A2			
	35 - 250 Bar	A3			

V23 Series Load Sense Compensated Pumps have:

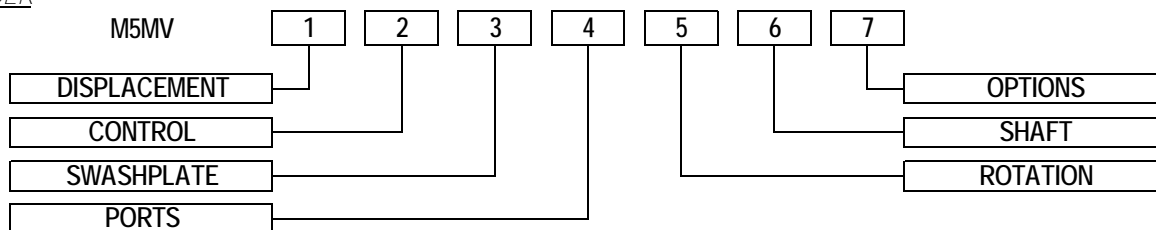
- SAE 'B' 2 Bolt Mount
- Flanged Ports
- Manual Stroke Limiter
- Other controls available on request



CODE	DISPLACEMENT cc/REV	MAX PRESSURE (Bar)	MIN SPEED rpm	MAX SPEED rpm	WEIGHT (Kg)
V23	23	250	600	1800	23

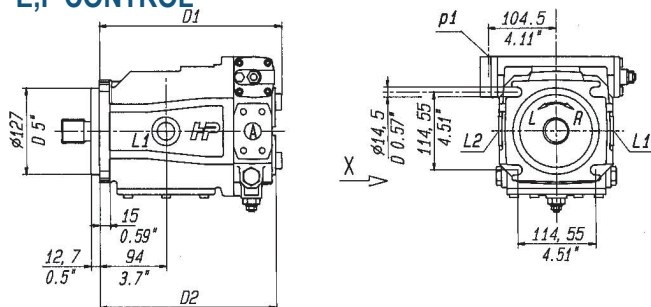
C17: 'M5MV' VARIABLE AXIAL PISTON MOTORS

HOW TO ORDER

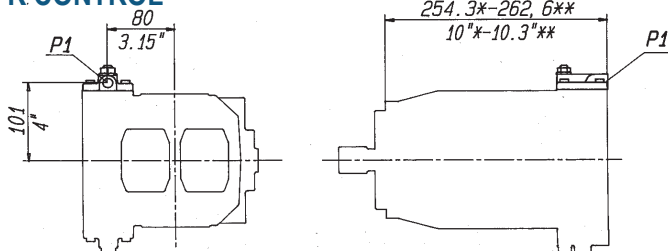


1	DISPLACEMENT	CODE	4	PORTS	CODE
Max / Min cc/REV			A & B on Opposite Sides		1
75/30		75/30	Other Options available on request		
100/40		100/40	5	DIRECTION	
2	CONTROL	CODE	Bi-Directional		B
Electric - No Valve		P	6	SHAFT	CODE
Solenoid - 12VDC		E	14 tooth Splined		3
Solenoid - 24VDC		F	21 tooth Splined		7
Remote Servo Control		K	23 tooth Splined		8
3	SWASHPLATE		7	OPTIONS	
Mounted on Bronze bushes		B	Purge Valve		V

E,F CONTROL



K CONTROL

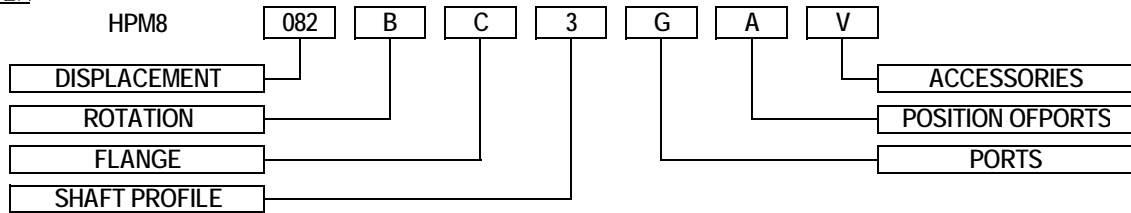


SAE 'C'
4 BOLT MOUNT

Max Displacement	75	100	115
Min Displacement	30	40	40
Max Speed Max Displacement	3600 rpm		3500 rpm
Min Speed Min Displacement	4000 rpm		3800 rpm
Max Pressure Cont.	380		
Max Pressure Peak	420		
Max Case Pressure	1.5		
Weight	40	48	
D1 (mm)	266	274	
D2 (mm)	256.3	264.6	
A & B PORT	1" Code 62		
L1 & L2	1" BSPP		
p1	1/4" BSPP		

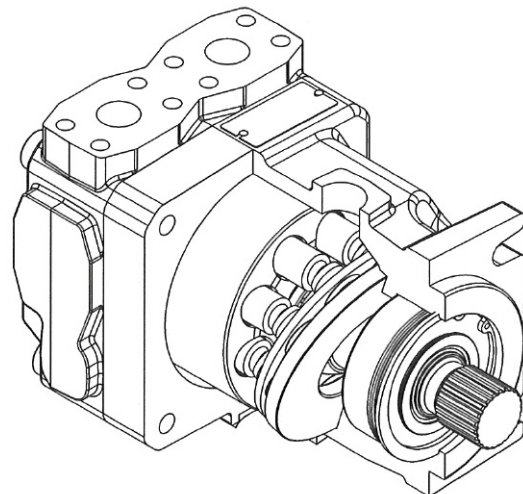
C14: 'HPM8' AXIAL PISTON MOTORS

HOW TO ORDER



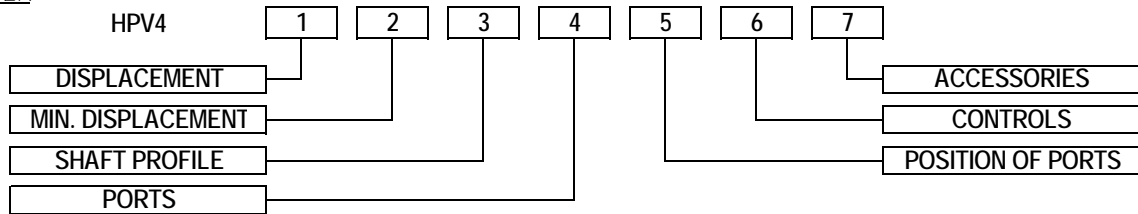
082	<u>DISPLACEMENT</u>	<u>CODE</u>	G	<u>PORTS</u>	<u>CODE</u>
	82			Gas	G
	100			UNF	U
	125				
B	<u>ROTATION</u>	<u>CODE</u>	A	<u>POSITION OF PORTS</u>	<u>CODE</u>
	Bidirectional	B		Coupled Sideways	A
C	<u>FLANGE</u>	<u>CODE</u>		Opposite Sideways	L
	SAE C 4 holes	C		Rear	P
3	<u>SHAFT PROFILE</u>	<u>CODE</u>	V	<u>ACCESSORIES</u>	<u>CODE</u>
	Z14 12/24" DP	3		No Accessories	O
	Z21 16/32" DP	7		Relief Valve	S
	Z23 16/32" DP	8		Multiple Accessories - Special Versions	M
				Exchange Valve	V

Displacement	cc/REV	82	100	125
Continuous Pressure	(Bar)	400		
Intermittent Pressure	(Bar)	420		
Peak Pressure	(Bar)	450		
Speed	Max-1	4000		
Speed	Min-1	500		
Weight	Kg	39	40	40



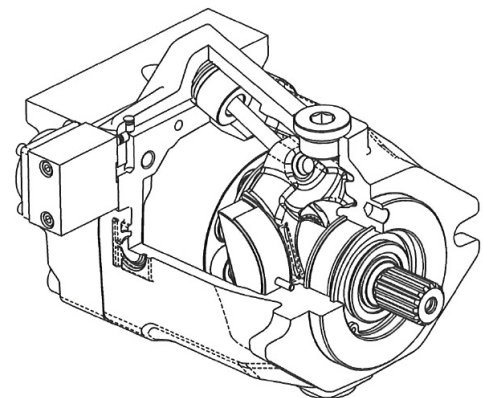
C16: 'HPV4' VARIABLE DISPLACEMENT AXIAL PISTON MOTORS

HOW TO ORDER



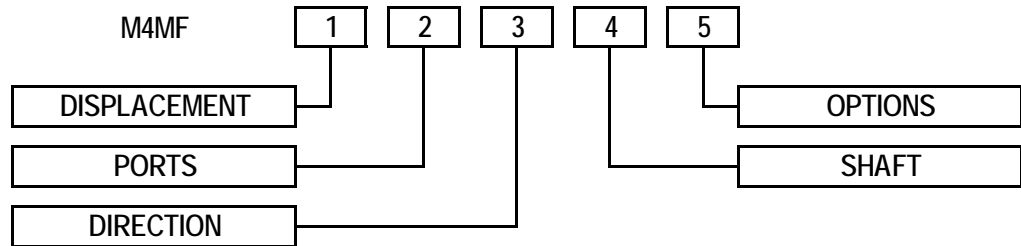
1	<u>DISPLACEMENT</u>	<u>CODE</u>	5	<u>POSITION OF PORTS</u>	<u>CODE</u>
	34 / 16			Coupled Sideways	A
	46 / 22			Opposite Sideways	L
	50 / 24			Rear	P
	58 / 28				
	65 / 31				
2	<u>MIN. DISPLACEMENT</u>		6	<u>CONTROLS</u>	<u>CODE</u>
	Special Build			12V Electrical, 2-Position	E
				24V Electrical, 2-Position	F
				Direct Hydraulic, 2-Position	H
				Hydraulic, 2-Position	K
3	<u>SHAFT PROFILE</u>	<u>CODE</u>	7	<u>ACCESSORIES</u>	<u>CODE</u>
	Z15 16/32" DP	1		No Accessories	O
	Z13 16/32" DP	9		Relief Valve	M
	Round Shaft d. 22,22	6		Multiple Accessories - Special Versions	S
4	<u>PORTS</u>	<u>CODE</u>		Exchange Valve	V
	GAS	G			
	UNF	U			

Displacement	cc/REV	34	46	58	65
Continuous Pressure	(Bar)	280		250	
Intermittent Pressure	(Bar)	315		300	
Peak Pressure	(Bar)	350		320	
Speed	Max-1	4000			
Speed	Min-1	700			
Weight	Kg	23		24	

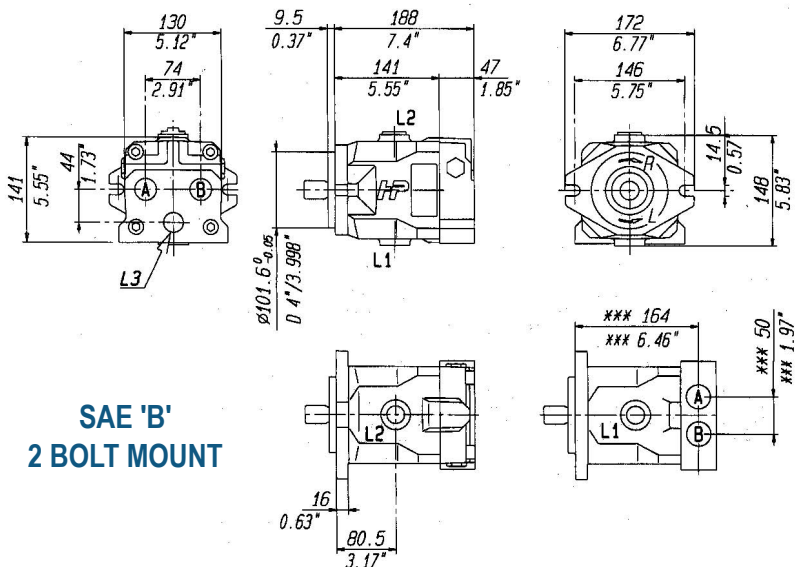


C13: 'M4MF' AXIAL PISTON MOTORS

HOW TO ORDER



1	<u>DISPLACEMENT</u>	<u>CODE</u>	4	<u>SHAFT</u>	<u>CODE</u>
	cc/REV			7/8" Keyed	1
	34	34		1.0" Keyed	2
	46	46		1.0" 15 tooth Splined	3
	50	50		30mm Keyed	4
2	<u>PORTS</u>	<u>CODE</u>	5	<u>OPTIONS</u>	<u>CODE</u>
	Side & Rear Ports (Standard)			Purge Valve	V
	A & B on Rear	1			
	A & B on Opposite Sides	2			
3	<u>DIRECTION</u>	<u>CODE</u>			
	A & B on Side	3			
	Bi-Directional	B			



SAE 'B'
2 BOLT MOUNT

DISPLACEMENT	34	46	50	58	65
Max Speed Cont.	3600 rpm				
Max Speed Peak	3800 rpm				
Max Pressure Cont.	250 Bar				
Max Pressure Peak	400 Bar				
Max Case Pressure	1.5 Bar				
Weight	20Kg				
A & B PORT	3/4" BSPP				
L1 & L2 (DRAIN)	3/4" BSPP				