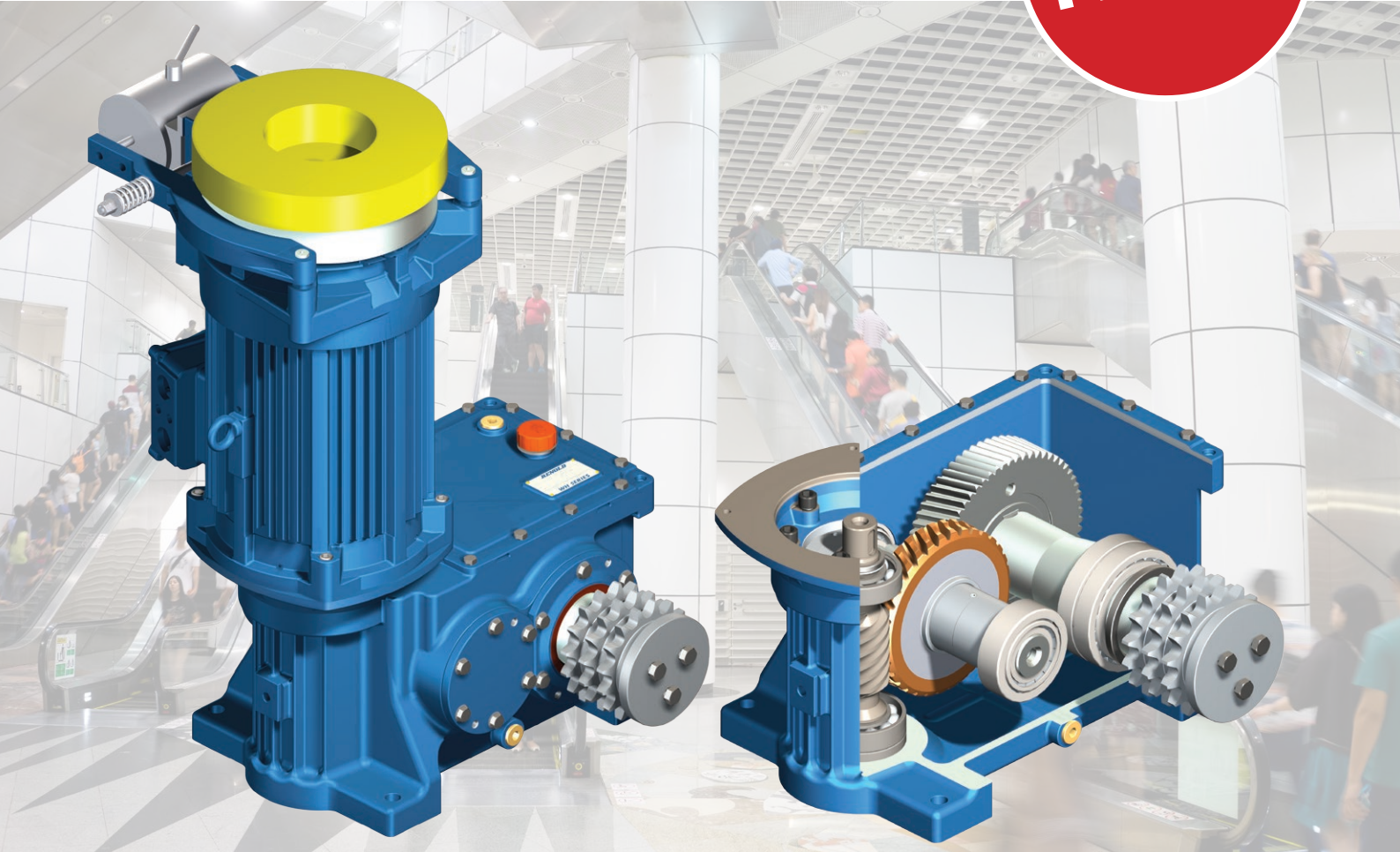


WH Series Compact Transit Escalator Drives

NEW!



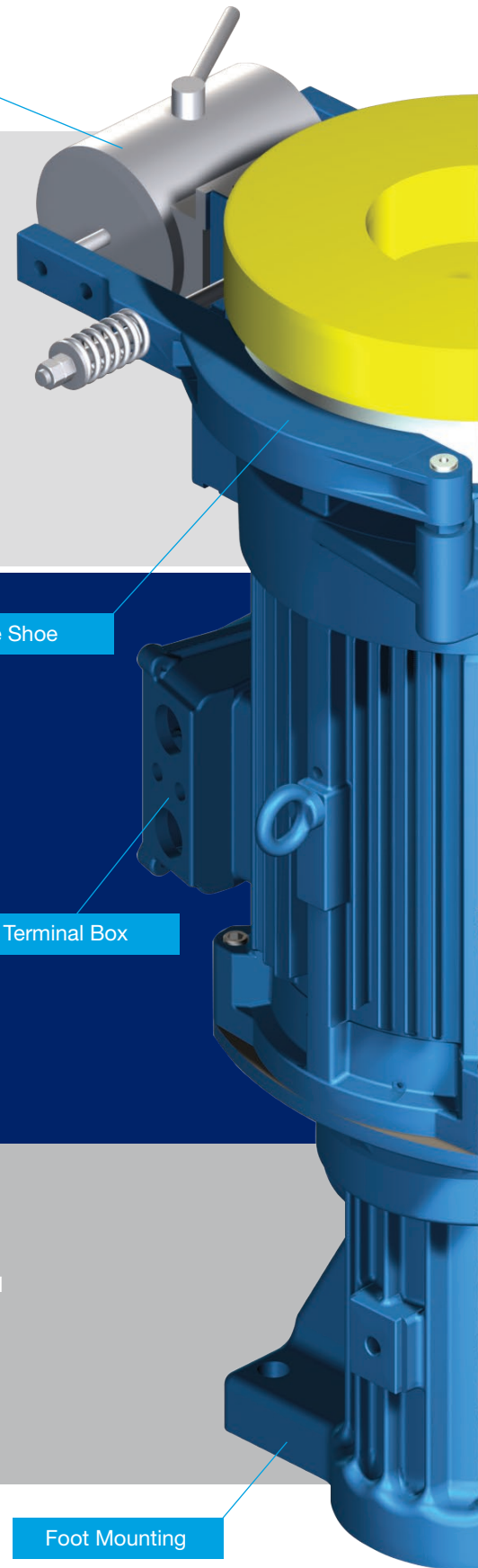
Global Compact Transit Escalator Drive Solutions



Flexible gear case design provides interchangeability.



Brake Solenoid



Brake Shoe

Terminal Box

Foot Mounting

Renold is a global engineering group with over 130 years of experience in the design and manufacture of high-quality power transmission products and application specific solutions.

Our application knowledge and engineering expertise, together with global manufacturing and service, ensures that Renold is your ideal partner for all your Transit Escalator Drive requirements. It is this unique industry experience gained in demanding global environments that makes the vital difference.

Our skilled engineers work closely with customers to provide a wide range of solutions for critical, real-life applications. Solutions that are proven to stand the test of time – that is why we believe in the principle: ‘Engineering for Life’.

> New Compact Escalator Drives

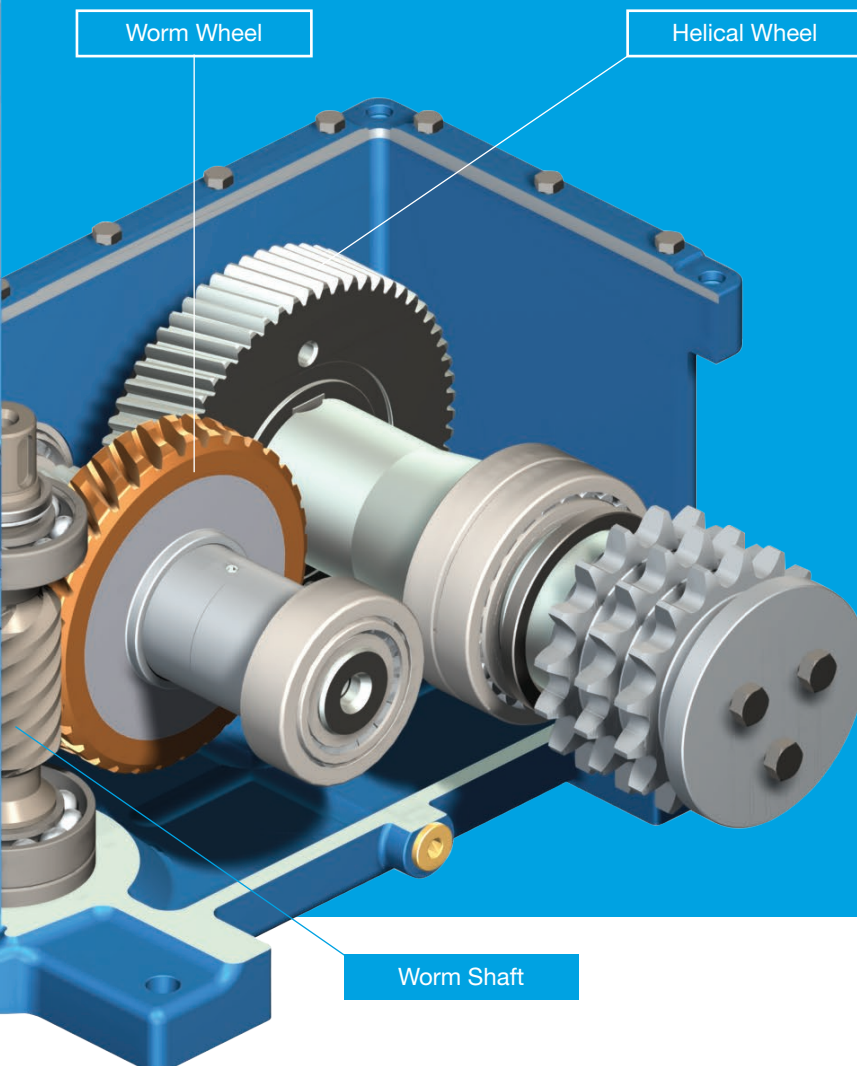
Renold is renowned for the supply of heavy-duty Transit Escalator Drives designed to meet the demanding requirements of the world’s largest underground and subway authorities.

We have now extended our offering with the launch of a new range of WH Series Compact Transit Escalator Drives

WH Series Compact Transit Escalator Drives



Proven low oil level design eliminates oil leaks.

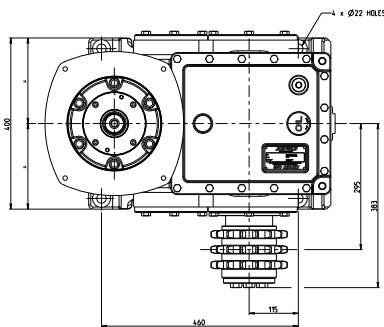
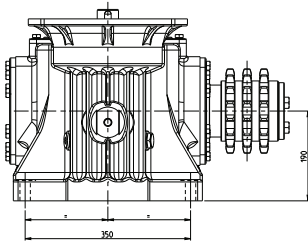
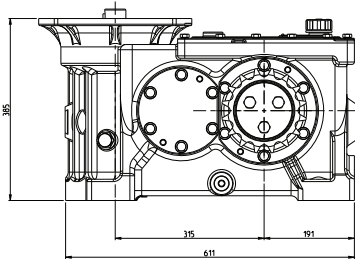
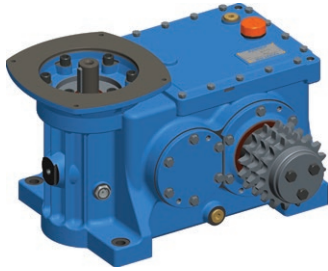


> Benefits

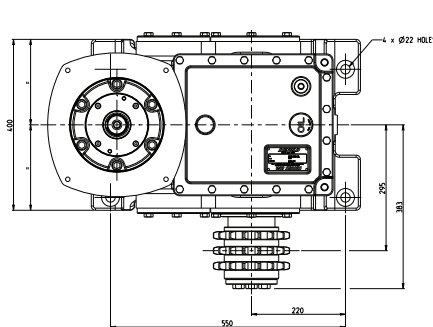
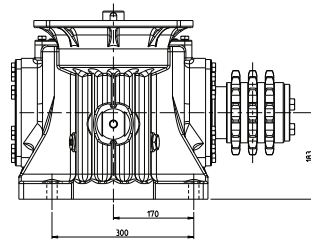
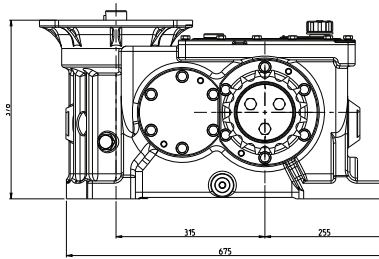
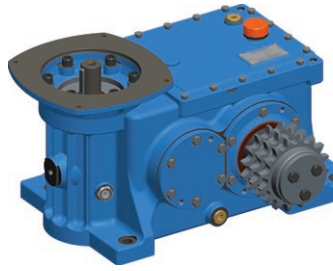
- Unique case design ensures interchangeability with other manufacturers without the need for re-engineering.
- Compact design available as motor is ready or fitted with a vertical motor, brake & flywheel package for in-truss installation.
- Worm/helical combination unit designed for high efficiency and low noise.
- Designed to use Renold's low oil level technology to reduce operating temperatures and extend operating life.
- Optional use of non-contact labyrinth seals ensures that the WH Series units are leak free.

Flexible Gear Case Designs

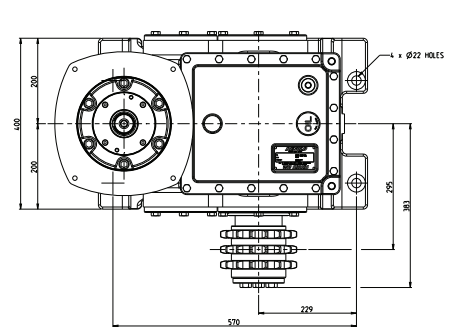
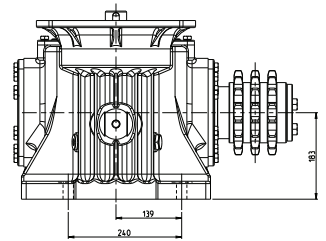
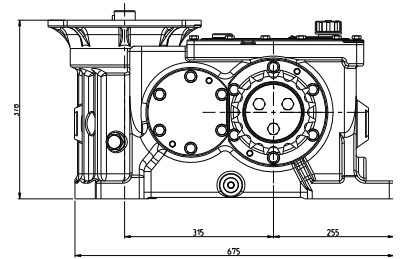
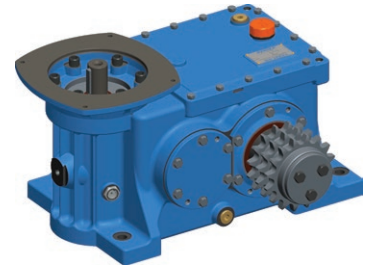
WH140/175-A



WH140/175-B



WH140/175-C

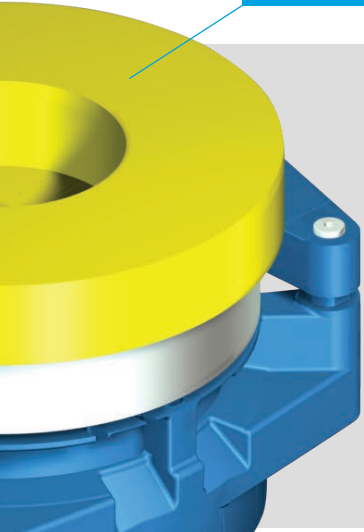


LIMITING MOTOR POWER

RATIO	SPEED (rpm)	MAX MOTOR POWER (kW)	RATIO	SPEED (rpm)	MAX MOTOR POWER (kW)	RATIO	SPEED (rpm)	MAX MOTOR POWER (kW)	RATIO	SPEED (rpm)	MAX MOTOR POWER (kW)
13.78	990	30	21.85	990	29	25.98	990	25	40.53	990	19
	1180	30		1180	30		1180	27		1180	23
	1480	30		1480	30		1480	30		1480	29
20.08	990	27	24.21	990	27	32	990	21			
	1180	30		1180	30		1180	24			
	1480	30		1480	30		1480	27			

WH Series Compact Transit Escalator Drives

Hand/Fly Wheel

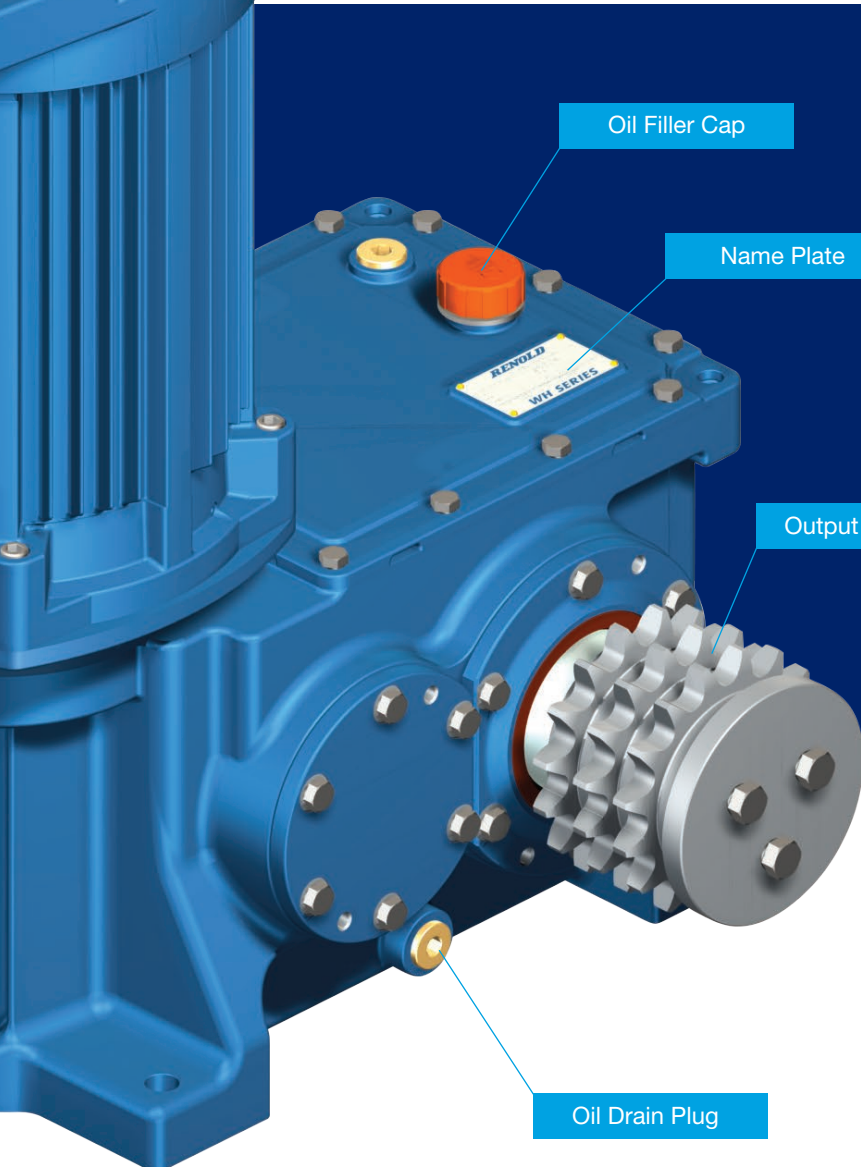


Oil Filler Cap

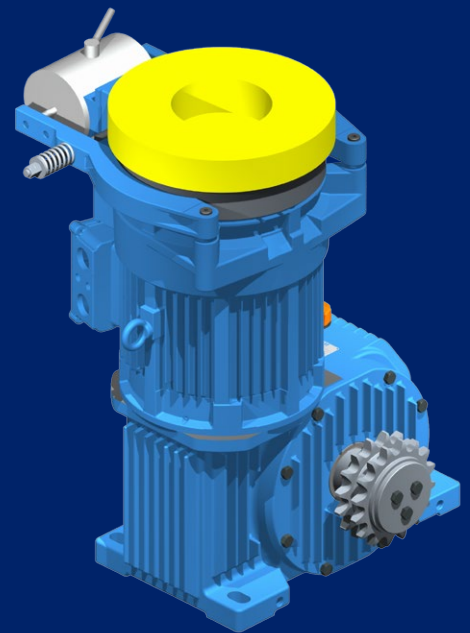
Name Plate

Output Sprocket

Oil Drain Plug



> Single Worm Option



RENOLD
ESCALATORDRIVES
Superior Gear & Chain Technology

RENOLD
Quality Gearing Solutions Partner

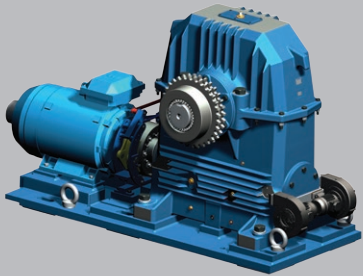
RENOLD

A global power transmission group serving global markets through an international network.

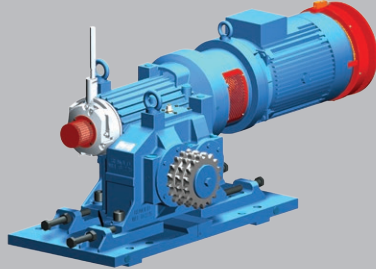
For your local Renold sales and service location visit www.renold.com

Superior Technology. Global Expertise.

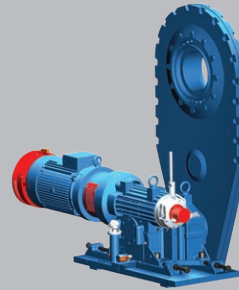
TRADITIONAL DRIVES



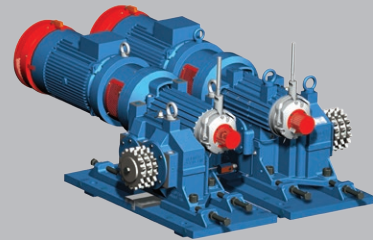
COMPACT DRIVES



DIRECT DRIVES



DOUBLE DRIVES



www.renold.com

gears.sales@renold.com



FSC Supplier

The FSC Logo identifies products which may contain wood from well managed forests certified in accordance with the rules of the Forest Stewardship Council.

www.fsc.org
© 1996 Forest Stewardship Council

RENOLD

Quality Gearing Solutions Partner

REN141/WHCTEDBRO/09.18/E

A Business of Renold Power Transmission Ltd.