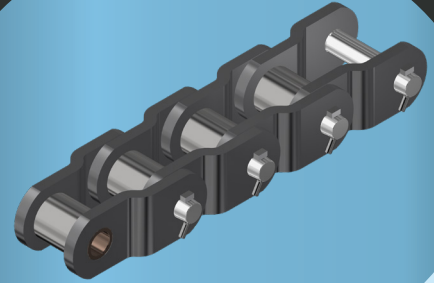


ENGINEERING CLASS DRIVE CHAIN

Developed for Coal Mines

Manufactured By Renold



**Delivery available from our Brisbane branch within 24 hours of receiving your order*

**24 hr
despatch***

RENOLD
AUSTRALIA
www.renold.com.au

ENGINEERING CLASS DRIVE CHAIN

Developed for Coal Mines

Manufactured By Renold

24 hr
despatch*

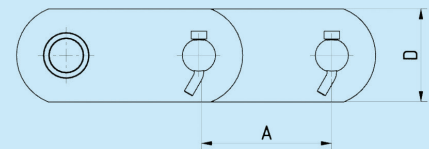
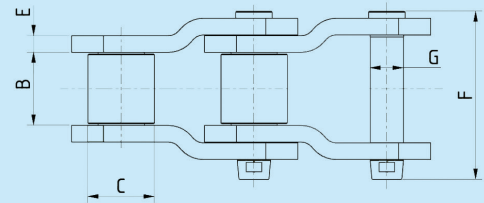
Mark 3 Engineering Class Drive Chain

Dimensions are in inches unless otherwise stated

Chain No.	Pitch A	Inner Width B	Roller Dia C	Plate Height D	Plate Thick E	Pin Dia G	Pin Length F	Average Ultimate Strength	Rated Working Load	Weight
JFYJS882C	2.609"	1.125"	0.875"	1.125"	0.250"	0.438"	2.560"	26,000 Lbs	2,500 Lbs	3.6 Lbs/Ft
	(66.27mm)	(28.58mm)	(22.23mm)	(28.58mm)	(6.35mm)	(11.13mm)	(65.02mm)	(115.6 kN)	(11.12 kN)	(5.36 Kg/m)
JFY181046IP	3.067"	1.563"	1.625"	2.250"	0.375"	0.750"	3.750"	113,000 Lbs	6,100 Lbs	13.10 Lbs/Ft
	(77.90mm)	(39.70mm)	(41.28mm)	(57.15mm)	(9.53mm)	(19.05mm)	(95.25mm)	(502.6 kN)	(27.1 kN)	(19.5 Kg/m)
JFY184050IP	3.075"	1.500"	1.250"	1.750"	0.375"	0.650"	3.660"	73,000 Lbs	5,100 Lbs	9.00 Lbs/Ft
	(78.11mm)	(38.10mm)	(31.75mm)	(44.45mm)	(9.53mm)	(16.51mm)	(92.96mm)	(324.7 kN)	(22.6 kN)	(13.4 Kg/m)
JFY184051IP	4.063"	1.938"	1.750"	2.250"	0.500"	0.875"	4.703"	140,000 Lbs	9,000 Lbs	15.4 Lbs/Ft
	(103.2mm)	(49.23mm)	(44.45mm)	(57.15mm)	(12.7mm)	(22.23mm)	(119.46mm)	(622.7 kN)	(40.00 kN)	(22.9 Kg/m)
JFY180847IP	5.000"	2.750"	2.500"	3.500"	0.625"	1.250"	6.234"	280,000 Lbs	17,500 Lbs	33.72 Lbs/Ft
	(127.00mm)	(69.85mm)	(63.50mm)	(88.90mm)	(15.88mm)	(31.75mm)	(158.34mm)	(1245.5 kN)	(77.8 kN)	(50.18 Kg/m)

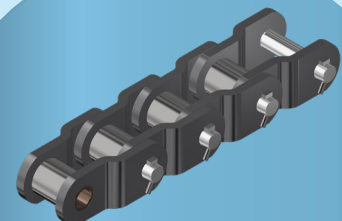
Mark 3 Engineering Class Drive Chain Equivalent

Renold Australia	Renold Jeffrey (USA)	Tsubaki	Rexnord	Ewart
JFYJS882C	JS882C	US-882	R588	EXS882
JFY181046IP	JS3011	US-3011	AX1568	3012
JFY184050IP	JS3075	US-3075	R1037	B7811
JFY184051IP	JS4014	US-1242	R1248	4014
JFY180847IP	JS5031	US-5031	RX1207	5020



*Delivery available from our Brisbane branch within 24 hours of receiving your order

RENOLD
AUSTRALIA
www.renold.com.au



ENGINEERING CLASS DRIVE CHAIN

Developed for Coal Mines

Manufactured By Renold

Drive Chain Breakdown

Item 1 - Pin

- * Made from high strength alloy steel
- * Through hardened & tempered for high strength
- * Circumferential deep induction hardened case on bush contact zone for high wear resistance & long service life

Item 2 - Bush & Item 3 - Roller

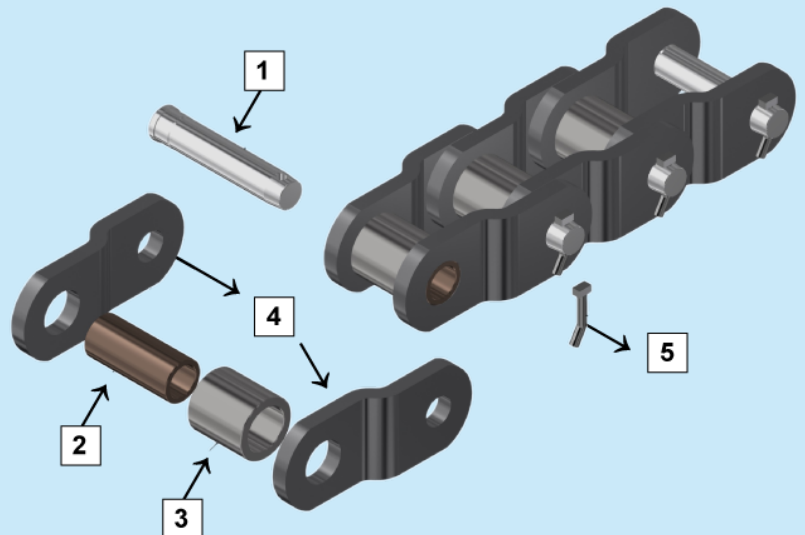
- * Made from high strength alloy steel
- * Deep case hardened & tempered for high wear resistance & long service life

Item 4 - Sideplate

- * Made from high strength alloy steel
- * Through hardened & tempered for high strength
- * Precision machined pitch holes

Item 5 - T-Pin

- * Made from low carbon steel and zinc plated



General notes

- * Machined sideplate pitch holes to provide accurate pitch control and contribute to high security for pin and bush
- * Pin and Bushes precision machined to provide high security connection and even operational stress distribution
- * Machined roller to provide optimal clearance to bush and proper sprocket engagement

**24 hr
despatch***



Fully stocked
Brisbane Warehouse

**Delivery available from our Brisbane branch within 24 hours of receiving your order*

RENOLD AUSTRALIA

Customer Service	1800 736 659
	1800 RENOLD
Head Office	+61 (0) 3 9262 3355
Sydney	+61 (0) 2 8795 5700
Wollongong	+61 (0) 2 4256 4100
Brisbane	+61 (0) 7 3719 2400
Townsville	+61 (0) 7 4431 2900
Perth	+61 (0) 8 9471 5800

www.renold.com.au
melsales@renold.com.au