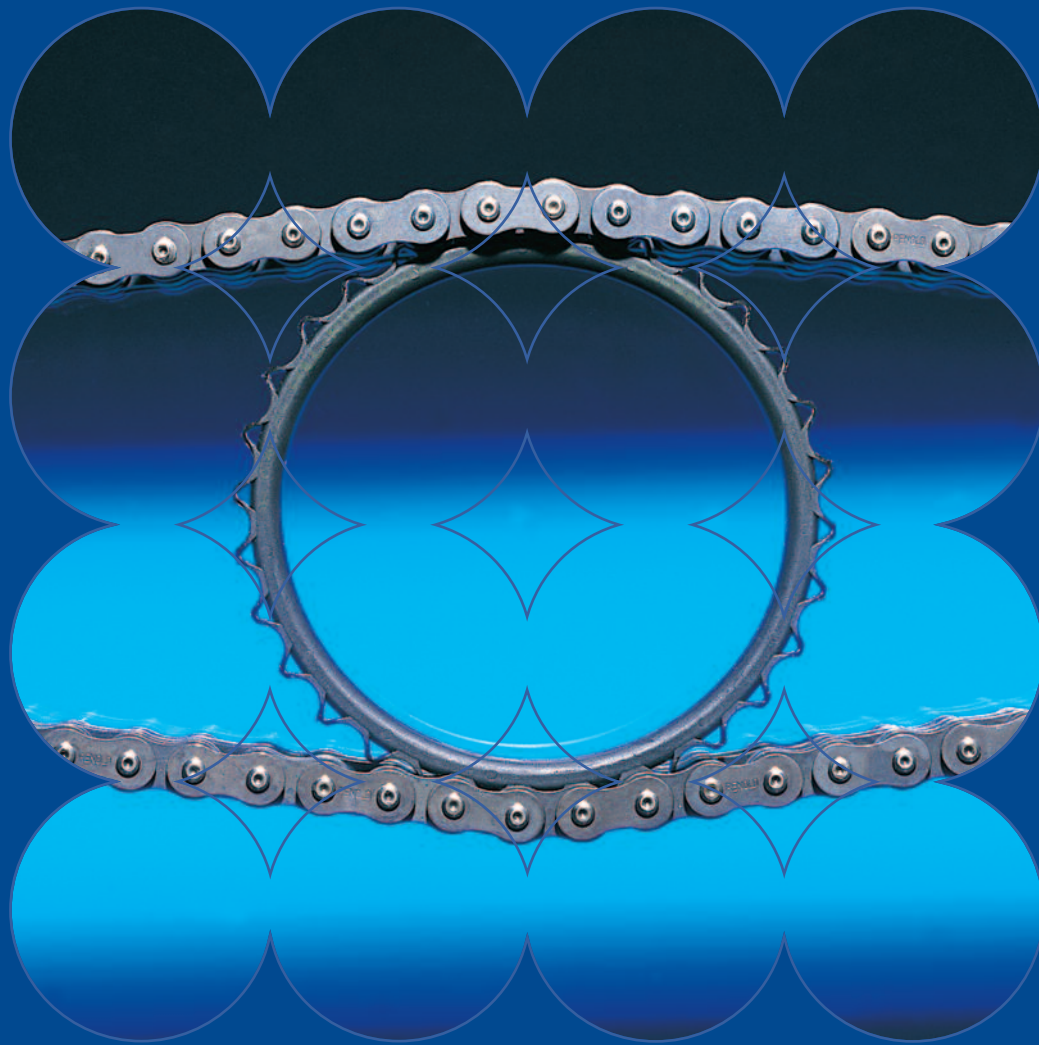


ROLL-RING[®]

Self adjusting chain tensioner

自我调节链条张紧器



RENOLD

Superior Chain Technology

www.renold.com

Leading edge technology 先进技术

Renold Provides practical cost effective solutions, with a commitment of value through quality. This is achieved by continuous investment in people, process technology and manufacturing. 基于通过确保质量追求价值的承诺, Renold 能够提出最可行、最具成本效益的解决方案, 这是依靠在人才、工艺技术和制造等方面的不断投入实现的。

Consistent reliability 可靠性始终如一

Renold's 100 years of experience in the design and manufacture of power transmission products, to the highest specification, with proven performance in diverse industries worldwide, underwrites the guaranteed quality and the assurance of reliability. Renold在动力传动产品的设计与制造领域已经积累了100多年的经验, 其产品符合最高技术规范的要求, 产品的性能在全世界各种不同的行业中均得到了证实, 这一切都为质量和可靠性提供了强有力的保障。

Package solutions 一整套解决方案

One stop for your drive systems, including roller and conveyor chain, gears, motors couplings variators and fabricated bases.

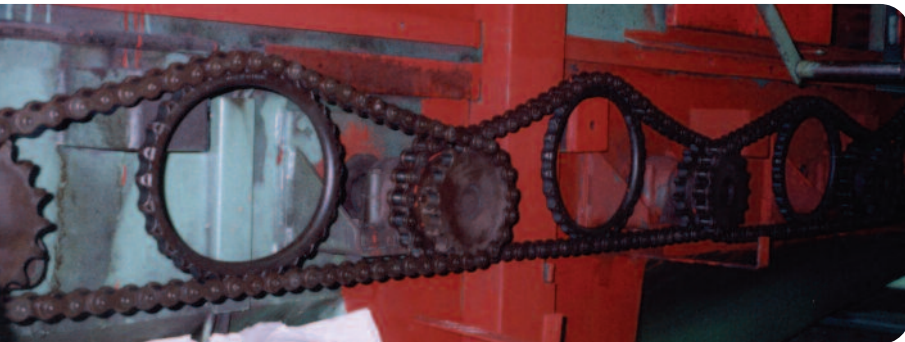
为您提供一应俱全的传动装置, 包括: 滚子链和输送链、齿轮、电动机、联轴器、变速器以及装配式底座。

Service excellence and care

一流的服务以及给予客户的高度关注 Renold offers a unique level of service excellence and customer care. Our experienced applications engineers will select the optimum solution with the aid of the latest computer aided design technology. Renold is the name for service, care and peace of mind. Renold提供无与伦比的一流服务及高度的客户关注。Renold富有经验的应用工程师能够借助最先进的计算机和设计技术挑选最佳的解决方案。Renold就代表了服务、关注及安心。

Special solutions and innovations

针对性的解决方案及技术革新 Renold is recognized throughout the industry for its capability to create specific solutions to customers unique requirements. International companies and industries from steel to food processing to escalates to textile machinery have chosen Renold to solve their problems. Renold能够针对客户的特殊要求提出具有针对性的解决方案, 由此, Renold得到了全行业的一致认可。遍及全世界的许多公司以及从钢铁到食品加工、从电动扶梯到纺织设备等诸多行业都已选择了由Renold为他们解决问题。



Local and international availability

本地与国际机构强强联手 The Renold organisation stretches worldwide Renold集团旗下的公司遍及全球。

- 20 National sales companies
20个国家内设立销售公司
- Over 100 overseas Distributors offering the Comprehensive Renold range of power transmission products, directly or through local distributor networks.

近100个海外分销商直接或通过本地分销商网络为客户提供各种系列的Renold动力传动产品

Approval and quality assurance

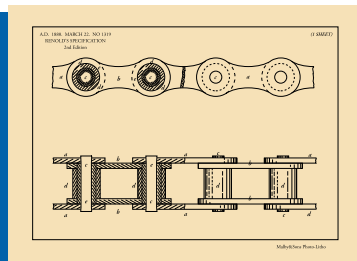
质量批准和保证

The key Renold manufacturing sites have both ISO 9001:2000 or ISO 14001:2004 certification. The roller chain manufacturing sites also have ISO 9001:2008 Certification.

We also manufacture to the specifications required by API & BAe.

Renold主要生产工厂都有ISO 9001:2000 或者ISO 14001:2004 证书。

滚子链生产厂家也有ISO 9001:2008 证书 我们也可以按照API & BAe要求生产。



ROLL-RING®

Roll-Ring is an innovative chain tensioner made from a specially formulated polymer. The unique design is based upon a toothed ring that can be fitted to horizontal, vertical or diagonal drives in a matter of seconds, simply by placing it in-between the two strands of chain.

When the drive is in use, the Roll-Ring deforms to an elliptical shape, due to the compression between the strands and completely absorbs any slack in the system. Roll-Ring performs the job of a tensioner and a damper in one, and is ideally suited to applications where maintenance is difficult or impossible.

Roll-Ring是一个由特别聚合物制成的具有革命性的链条张紧器。唯一的设计是基于齿状环可以在几秒内横向、竖向或对角驱动，仅仅只是放置在两排链条中间。

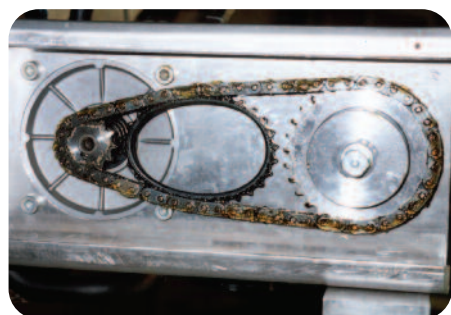
当被驱动时，Roll-Ring会变形成为椭圆形，因为在链排内压缩而且全部吸收系统中的松弛。Roll-Ring行使张紧器和调节器的作用，十分适用于很难或不可能维修的领域。

The Innovative Tensioner 革新的张紧器

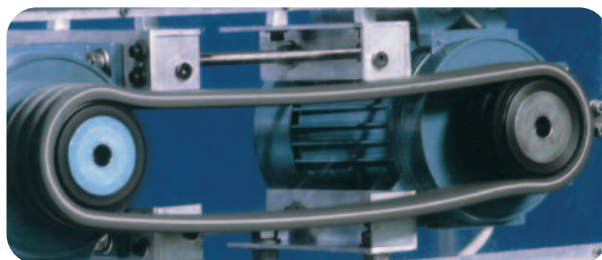
The innovative prize winning Roll-Ring chain tensioner is based on new principles and represents a major advance in technology.

革新的获奖Roll-Ring链条张紧器是基于新原理和代表主要技术先进的产品。

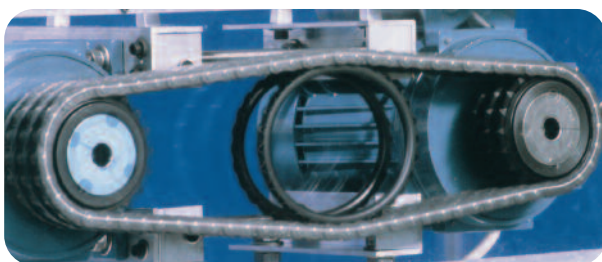
- Roll-Ring requires minimal technical effort. 需要极少技术支持
- All functions are integrated into a single component 所有功能都整合到一个零件中
- Roll-Ring utilises the hollow space of the associated chain drive system giving greater flexibility to designers and specifiers
可以利用联合链条驱动系统中的空心空间给设计者和使用者更多灵活性。
- Automatic positioning and self lubricating
自动定位和自我润滑



Vibrations in an untensioned chain drive 在没有张紧器链条驱动中的振动



The ROLL-RING chain tensioner tensions and dampens Roll-Ring链条张紧器张紧和降低振动



与其他张紧器不同的优越性

Benefits over other types of tensioner

- Free standing-no sprockets, bolts, plates, drilling or costly installation required
独立存在 - 不需要链轮、螺栓、链板、钻孔或花成本的安装
- The Roll-Ring is easily installed where space limitations prohibit the use of conventional chain tensioners
Roll-Ring可以轻松安装在传统链条张紧器无法安装的有限空间里。
- The Roll-Ring is fitted in a matter of seconds
Roll-Ring几秒内就可以固定
- No tools or tensioning equipment are required and the Roll-Ring is ready for use without further alignment or adjustment
无需工具或张紧设备，Roll-Ring不用进一步校正或调整后使用。
- Fully effective in both vertical and diagonal drives
在横向和斜角方向驱动都可以完全有效
- Roll-Ring operates automatically, is maintenance free and self lubricating
Roll-Ring自动化操作，无需维护和自我润滑
- Suitable for dusty and dirty environments
适合于多尘和肮脏的环境
- Chain tensioner and damper in one, thus reducing noise levels
链条张紧器和调节器一体，这样减少噪音
- Roll-Ring works in reverse mode
Roll-Ring也可相反工作

Tensioning Principles 张紧的原理

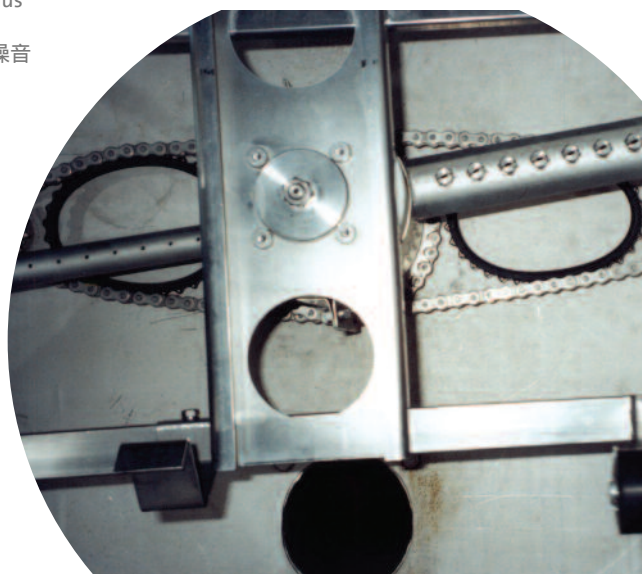
Roll-Ring chain tensioners provide tensioning using Roll-Ring链条张紧器提供张紧功能

- Static tensioning force from the elastic ring
从弹簧圈获取静态张紧力
- Dynamic tensioning force from the damping of the working material
降低工作材料振动获取动态张紧力

The Roll-Ring chain tensioners provide as much tension as necessary at low chain speeds and have reserves of tensioning and damping capacity for higher chain speeds.

Roll-Ring链条张紧器在链条低速提供足够多的张紧力，保留张力和在链条更快速时降低振动
They can be used up to maximum speed limits specified by the chain manufacturers for manual lubrication and for drip lubrication for high performance chains.

可以使用到链条生产商提供的最高限速，为了链条的高性能建议人工润滑和滴油润滑方式。





Operating Environment 运行环境

The material mixture and manufacturing technology give Roll-Ring a high chemical resistance, flexibility in cold temperatures, stability in warm temperatures and stability against ultra-violet radiation. Roll-Rings ending with the code 01 are modified to the maximum permissible chain speed, wear period, chemical resistance and cold flexibility. They are therefore ideal for a wide spectrum of mechanical engineering.

Roll-Rings ending in the code 06 are modified to the requirements of higher operating temperatures, whilst Roll-Rings ending in code 08 reflect excellent cold temperature flexibility and intensified damping characteristics. Roll-Rings with part numbers beginning with 8 or 1 are suitable for general mechanical engineering. This series of Roll-Ring generates especially smooth chain operation at the start and in reverse mode and provides especially low chain wear in operation.

材质混合和生产技术给予Roll-Ring高抗化学腐蚀性，低温高灵活性，高温稳定性和抗紫外线辐射。Roll-Ring编码以01结尾是按照最大链条速度、磨损阶段，抗化学腐蚀和冷挠曲性改进的。因此，它们是一个广泛的机械工程的理想选择。

Roll-Ring编码以06结尾是按照更高运行温度改进的，而Roll-Ring编码以08结尾则是卓越低温灵活性和加强型避震特性

Roll-Ring编码以8或1开头则适合于一般机械工程。Roll-Ring系列特别能使链条刚开始运行和反方向运行时顺畅，特别提供链条低磨损。

Wear 磨损

The Roll-Ring chain tensioners are extremely resistant to wear and tear, with evidence of products in demanding applications reflecting no measurable or visible wear and tear in over a year's continuous operation. Roll-Ring链条张紧器十分耐磨和耐撕扯，有证据证明产品在一年连续运行中没有出现可测量或可见的磨损和撕裂。

Applications 应用

Roll-Ring chain tensioners can be applied in a wide variety of fields of mechanical engineering. Roll-Rings have been reliably operating in printing machines, confectionary production lines, luggage conveyor drives/transportation systems at airports, cleaning and filling systems in breweries, roller conveyors in aluminium pressing plants, in chain drives on vibratory plates in automatic sand blasting machines, and in agricultural machines with heavy duty chain drives.

*Roll-Rings have even been installed successfully on Quad bikes/buggies.

Roll-Ring链条张紧器可以应用在工程机械上多种领域。Roll-Ring可靠地应用在印刷机械，糖果生产线，机场的行李输送驱动/运输系统，啤酒厂的清洗和灌装系统，铝厂的滚子输送，自动抛沙机链条驱动的振动盘，农用机械中的重型驱动链条。

*Roll-Ring已经成功地应用在驱动自行车/轿车。

Installation 安装

Roll-Ring chain tensioners are maintenance free and can be fitted to a wide variety of chain drives with no installation downtime.

Roll-Ring链条张紧器无需维护而且可以在各种链条驱动中无需停机时间安装。

The requirement is that 需求是：

- There is a working gap between the chain strands which is smaller than the reference diameter of the chain tensioner 链条排数之间有工作空隙且小于链条张紧器参考直径
- There is a sufficient gap between the chain drive sprockets 链条驱动链轮之间有足够空隙

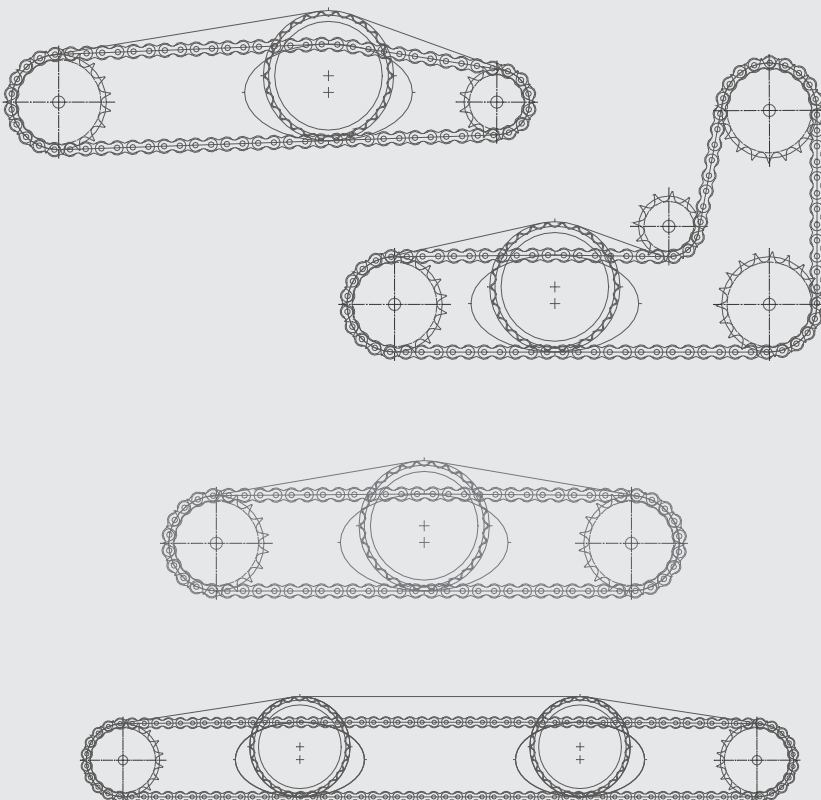
For duplex chain, Roll-Rings should be placed parallel in both chain strands.

对于双排链，Roll-Ring需要平行安装在两排链条上。In triplex chain it is necessary only to tension strand 1 and strand 2 if chain drives with lower axial distance are used. If the weight of the slack strand is greater than the total tension of 2 Roll-Rings, then it is necessary to arrange 3 chain tensioners in parallel.

在三排链条中，如果链条使用低轴距离驱动有必要仅仅张紧第一排和第二排。如果松弛链条排比2个Roll-Ring重，则有必要安排平行安装3个链条张紧器。In multi-strand chain drives the Roll-Ring chain tensioners are arranged between the sprockets as in single strand chain drives.

在多排链条驱动Roll-Ring链条张紧器，如同单排链条驱动一样安装在链轮中

Roll-Ring even has potential for use on motorcycle chain
Roll-Ring甚至可以潜在用于摩托车链





Roll-Ring® Selection 挑选

If you wish to select a Roll-Ring chain tensioner for an existing ISO BS series chain drive, independent of the transmission ratio, we recommend you complete the following steps: Identify the ISO number of your chain e.g.08B-1 Measure the inner width between sprockets in mm. This is dimension A*

Measure the maximum width between the chain strands in mm by pulling the chain apart, starting and ending the measurement at the centre of the pins. This is dimension D*

To identify the correct Roll-Ring for your drive, follow steps below:

如果你为现有的ISO BS系列链条驱动选择一个Roll-Ring链条张紧器，独立的传动比率，我们建议你按照下面的步骤完成选择：

识别您链条的ISO编号，例如08B-1，测量链轮间的内宽（毫米）。这就是A*
松开链条测量链条排数中在最大宽度（毫米），从下面两个销轴的中心开始测量。

Using Table A 使用A表格

1. Refer to the corresponding ISO number or range of numbers in table
2. On table refer to column D = do-s
3. Select Roll-Ring(s) where D* > D
1. 参考表格中的ISO相应编号或编号范围
2. 表格中参考D列 D=do-s
3. 当D* > D时选择Roll-Ring

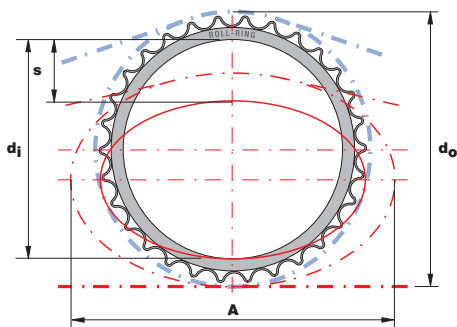


Table A: ISO BS series

D* > D and D* < d (self-holding restriction) and A* >= A (working area restriction)

表格A：ISO BS series

D* > D 和 D* < d (自锁限制) 和 A* >= A (工作区域限制)

ISO No.	Article	d ₀	d ₁	s	A	D = do-s
05-B	105 030 01	76.500	65.000	20.000	104.000	56.500
06-B	106 030 01	91.100	73.000	25.000	122.000	66.100
06-B	106 036 01	109.000	89.000	25.000	143.000	84.000
08-B	108 026 01	105.500	87.500	27.000	135.000	78.500
08-B	108 030 01	121.500	101.600	30.000	161.600	91.500
08-B	108 034 01	137.500	115.400	30.000	165.000	107.500
08-B	108 430 01	121.500	101.600	30.000	161.600	91.500
10-B	110 026 01	128.400	105.000	28.000	153.000	100.400
10-B	110 030 01	148.000	124.600	33.000	177.000	115.000
10-B	110 034 01	170.000	141.000	38.000	217.000	132.000
12-B	112 026 01	155.000	127.600	35.000	209.500	120.000
12-B	112 030 01	182.200	153.100	45.000	242.000	137.200
12-B	112 034 01	207.500	169.500	45.000	265.000	162.500
16-B	116 026 01	207.000	167.000	45.000	269.000	162.000
16-B	116 030 01	245.800	202.000	50.000	306.000	195.800
20-B	120 030 01	303.700	256.400	65.000	390.000	238.700

4. Now check that D* < do

4. 现在检查D* < do

5. Go to column A

5. 查看A列

6. If A* >= to A the correct product has been determined. If several types of Roll-Ring meet the criteria, select the one with the maximum number of teeth.

6. 如果A* >= A，那证明已经选择正确的产品，如果好几种Roll-Ring都符合，选择最大齿数的那种

For example if: 举例如下：

Chain ISO number is 08B-1

D*=85mm

A*=310mm

Then Roll-Ring 108 026 01 meets the criteria.

那么Roll-Ring 108 026 01 符合规范

If you wish to select a Roll-Ring chain tensioner for an existing ANSI series chain drive, independent of the transmission ratio, follow the above steps but refer to Table B.

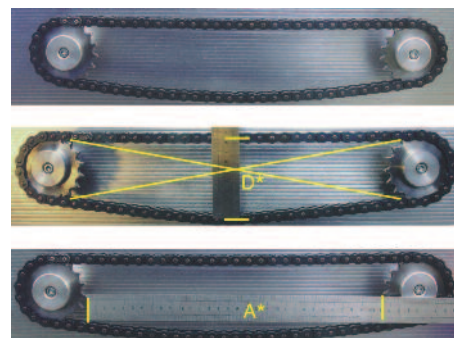
如果您想选择一个为一个存在的ANSI系列链条驱动选择一个Roll-Ring链条张紧器，独立的传动比率，遵循上面的步骤然后参考表格B.

For example if: 举例如下：

Chain ANSI number is 40

D*=3.347”

A*=12.205”



Then Roll-Ring 108 026 01 meets the criteria.

If you require assistance selecting the correct Roll-Ring for your application, contact you local Renold National Sales Company – details on back of the brochure.

For more information – or to see the Roll-Ring in operation – visit our website www.renold.com and find Roll-Ring under roller chain products.

那么Roll-Ring 108 026 01 符合规范

如果就您的应用中选择Roll-Ring需要帮助时，请联系当地销售公司 - 请参看样本背面信息
更多信息 - 或者想查看Roll-Ring运转情况 - 访问我们的网站www.renold.com，在滚子链产品

Table B: ANSI series

D* > D and D* < d (self-holding restriction) and A* >= A (working area restriction)

表格B：ANSI series

D* > D 和 D* < d (自锁限制) 和 A* >= A (工作区域限制)

ANSI No.	Article	d ₀	d ₁	s	A	D = do-s
35	806 030 01	3.539	3.024	1.063	4.449	2.476
40	108 026 01	4.154	3.445	1.063	5.346	3.091
40	108 030 01	4.783	4.000	1.181	6.362	3.602
40	108 034 01	5.413	4.543	1.181	6.496	4.232
40	108 430 01	4.783	4.000	1.181	6.362	3.602
50	110 026 01	5.055	4.134	1.102	6.024	3.953
50	110 030 01	5.827	4.906	1.299	6.969	4.528
50	110 034 01	6.693	5.551	1.496	8.543	5.197
60	112 026 01	6.102	5.024	1.378	8.248	4.724
60	112 030 01	7.173	6.028	1.772	9.528	5.401
60	112 034 01	8.169	6.673	1.772	10.433	6.397
80	116 026 01	8.150	6.575	1.772	10.591	6.378
80	816 030 01	9.528	7.874	1.969	12.402	7.559
100	120 030 01	11.957	10.094	2.560	15.354	9.397

ROLL-RING® BS data 数据

Technical details 具体技术信息

Article No. 01 产品编号 01	Dimensions 尺寸	ISO Chain No. ISO 链条编号	Chain Dimension 链条尺寸	Teeth 齿数	Max Static 最大 Expansive 静态 Force 扩张力	Maximum 最大 Chain 链条 Speed 速度	Ambient Temperature 周围温度	Weight 重量
			p x b1 - inches		N **	m/s	°C	kg
105 030 01	05 B 30	ISO 05	8mm x 1/8	30	2.900	5.000	-20 to +70	0.002
106 030 01	06 B 30	ISO 06	3/8 x 7/32	30	15.200	5.200	-20 to +70	0.006
106 036 01	06 B 36	ISO 06	3/8 x 7/32	36	28.500	5.200	-20 to +70	0.017
108 026 01	08 B 26	ISO 08	1/2 x 5/16	26	13.400	7.500	-20 to +70	0.012
108 030 01	08 B 30	ISO 08	1/2 x 5/16	30	14.200	8.600	-20 to +70	0.015
108 034 01	08 B 34	ISO 08	1/2 x 5/16	34	22.000	8.800	-20 to +70	0.024
108 430 01	*	*	1/2 x 3/4/6mm	30	16.800	7.500	-20 to +70	0.016
110 026 01	10 B 26	ISO 10	5/8 x 3/8	26	28.200	4.200	-20 to +70	0.025
110 030 01	10 B 30	ISO 10	5/8 x 3/8	30	23.000	8.800	-20 to +70	0.030
110 034 01	10 B 34	ISO 10	5/8 x 3/8	34	45.100	8.800	-20 to +70	0.055
112 026 01	12 B 26	ISO 12	3/4 x 7/16	26	39.200	5.400	-20 to +70	0.045
112 030 01	12 B 30	ISO 12	3/4 x 7/16	30	32.200	6.200	-20 to +70	0.052
112 034 01	12 B 34	ISO 12	3/4 x 7/16	34	70.500	6.400	-20 to +70	0.096
116 026 01	16 B 26	ISO 16	1" x 17mm	26	95.700	5.700	-20 to +70	0.115
116 030 01	16 B 30	ISO 16	1" x 17mm	30	108.500	6.200	-20 to +70	0.178
120 030 01	20 B 30	ISO 20	1 1/4 x 3/4	30	80.500	7.000	-4 to +40	0.233

Technical details 具体技术信息

Article No. 06 产品编号 06	Dimensions 尺寸	ISO Chain No. ISO 链条编号	Chain Dimension 链条尺寸	Teeth 齿数	Max Static 最大 Expansive 静态 Force 扩张力	Maximum 最大 Chain 链条 Speed 速度	Ambient Temperature 周围温度	Weight 重量
			p x b1 - inches		N **	m/s	°C	kg
106 030 06	06 B 30	ISO 06	3/8 x 7/32	30	20.300	4.500	-8 to +80	0.006
108 026 06	08 B 26	ISO 08	1/2 x 5/16	26	24.100	5.100	-8 to +80	0.012
108 030 06	08 B 30	ISO 08	1/2 x 5/16	30	33.800	5.800	-8 to +80	0.015
108 430 06	*	*	1/2 x 3/4/6mm	30	26.200	5.100	-8 to +80	0.016
110 026 06	10 B 26	ISO 10	5/8 x 3/8	26	38.500	3.700	-8 to +80	0.025
110 030 06	10 B 30	ISO 10	5/8 x 3/8	30	34.200	5.600	-8 to +80	0.030
112 026 06	12 B 26	ISO 12	3/4 x 1/2	26	44.900	3.500	-8 to +80	0.045
112 030 06	12 B 30	ISO 12	3/4 x 7/16	30	60.200	4.000	-8 to +80	0.052
116 026 06	16 B 26	ISO 16	1" x 17mm	26	139.800	3.500	-8 to +80	0.115
116 030 06	16 B 30	ISO 16	1" x 17mm	30	-	4.000	-8 to +80	0.178

Technical details 具体技术信息

Article No. 08 产品编号 08	Dimensions 尺寸	ISO Chain No. ISO 链条编号	Chain Dimension 链条尺寸	Teeth 齿数	Max Static 最大 Expansive 静态 Force 扩张力	Maximum 最大 Chain 链条 Speed 速度	Ambient Temperature 周围温度	Weight 重量
			p x b1 - inches		N **	m/s	°C	kg
106 030 08	06 B 30	ISO 06	3/8 x 7/32	30	11.400	7.400	-30 to +50	0.006
108 026 08	08 B 26	ISO 08	1/2 x 5/16	26	9.100	8.800	-30 to +50	0.012
108 030 08	08 B 30	ISO 08	1/2 x 5/16	30	12.800	10.200	-30 to +50	0.015
108 430 08	*	*	1/2 x 3/4/6mm	30	12.500	8.000	-30 to +50	0.016
110 026 08	10 B 26	ISO 10	5/8 x 3/8	26	15.700	4.600	-30 to +50	0.025
110 030 08	10 B 30	ISO 10	5/8 x 3/8	30	20.000	10.100	-30 to +50	0.030
112 026 08	12 B 26	ISO 12	3/4 x 7/16	26	33.500	5.500	-30 to +50	0.099
112 030 08	12 B 30	ISO 12	3/4 x 7/16	30	55.500	6.400	-30 to +50	0.052
116 026 08	16 B 26	ISO 16	1" x 17mm	26	54.400	6.700	-30 to +50	0.115
116 030 08	16 B 30	ISO 16	1" x 17mm	30	-	6.900	-30 to +50	0.178

* universal for chain width of 1/8" to 5/16" 1/8" 到 5/16" 链条通用宽度

** at 20°C and maximum tensioning deformation; without dynamic tensioning force proportional to the chain speed 在20摄氏度和最大张紧变形；没有相对于链条速度的动态张紧力

ROLL-RING® ANSI data 数据

Technical details 具体技术信息

Article No. 01 产品编号 01	Dimensions 尺寸	ANSI Chain No. ISO 链条编号	Chain Dimension 链条尺寸	Teeth 齿数	Max Static 最大 Expansive 静态 Force 扩张力	Maximum 最大 Chain 链条 Speed 速度	Ambient Temperature 周围温度	Weight 重量
			p x b1 - inches		lbs **	ft/min	°F	lbs
106 030 01	06 C 30	35	3/8 x 3/16	30	1.280	1024	-4 to +158	0.011
108 026 01	08 A 26	40	1/2 x 5/16	26	3.010	1476	-4 to +158	0.026
108 030 01	08 A 30	40	1/2 x 5/16	30	3.190	1693	-4 to +158	0.033
108 034 01	08 A 34	40	1/2 x 5/16	34	4.940	1732	-4 to +158	0.053
108 430 01	*	*	1/2 x 3/4/6mm	30	3.780	1476	-4 to +158	0.035
110 026 01	10 A 26	50	5/8 x 3/8	26	6.340	827	-4 to +158	0.055
110 030 01	10 A 30	50	5/8 x 3/8	30	5.170	1732	-4 to +158	0.066
110 034 01	10 A 34	50	5/8 x 3/8	34	10.140	1732	-4 to +158	0.121
112 026 01	12 A 26	60	3/4 x 1/2	26	8.810	1063	-4 to +158	0.099
112 030 01	12 A 30	60	3/4 x 1/2	30	7.240	1220	-4 to +158	0.115
112 034 01	12 A 34	60	3/4 x 1/2	34	15.840	1260	-4 to +158	0.212
116 026 01	16 A 26	80	1 x 5/8	26	21.510	1122	-4 to +158	0.254
116 030 01	16 A 30	80	1 x 5/8	30	23.150	1299	-4 to +158	0.348
120 030 01	20 A 30	100	1 1/4 x 3/4	30	18.090	1378	-4 to +140	0.514

Technical details 具体技术信息

Article No. 06 产品编号 06	Dimensions 尺寸	ANSI Chain No. ISO 链条编号	Chain Dimension 链条尺寸	Teeth 齿数	Max Static 最大 Expansive 静态 Force 扩张力	Maximum 最大 Chain 链条 Speed 速度	Ambient Temperature 周围温度	Weight 重量
			p x b1 - inches		lbs **	ft/min	°F	lbs
106 030 06	06 C 30	35	3/8 x 3/16	30	1.710	886	+18 to +176	0.011
108 026 06	08 A 26	40	1/2 x 5/16	26	5.420	1004	+18 to +176	0.026
108 030 06	08 A 30	40	1/2 x 5/16	30	7.600	1142	+18 to +176	0.033
108 430 06	*	*	1/2 x 3/4/6mm	30	5.890	1004	+18 to +176	0.035
110 026 06	10 A 26	50	5/8 x 3/8	26	8.650	728	+18 to +176	0.055
110 030 06	10 A 30	50	5/8 x 3/8	30	7.690	1102	+18 to +176	0.066
112 026 06	12 A 26	60	3/4 x 1/2	26	10.090	689	+18 to +176	0.099
112 030 06	12 A 30	60	3/4 x 1/2	30	13.530	787	+18 to +176	0.115
116 026 06	16 A 26	80	1 x 5/8	26	31.420	689	+18 to +176	0.254
116 030 06	16 A 30	80	1 x 5/8	30	26.520	827	+18 to +176	0.348

Technical details 具体技术信息

Article No. 08 产品编号 08	Dimensions 尺寸	ANSI Chain No. ISO 链条编号	Chain Dimension 链条尺寸	Teeth 齿数	Max Static 最大 Expansive 静态 Force 扩张力	Maximum 最大 Chain 链条 Speed 速度	Ambient Temperature 周围温度	Weight 重量
			p x b1 - inches		lbs **	ft/min	°F	lbs
106 030 08	06 C 30	35	3/8 x 3/16	30	0.760	1457	-22 to +122	0.011
108 026 08	08 A 26	40	1/2 x 5/16	26	2.050	1732	-22 to +122	0.026
108 030 08	08 A 30	40	1/2 x 5/16	30	2.880	2008	-22 to +122	0.033
108 430 08	*	*	1/2 x 3/4/6mm	30	2.810	1575	-22 to +122	0.035
110 026 08	10 A 26	50	5/8 x 3/8	26	3.530	906	-22 to +122	0.055
110 030 08	10 A 30	50	5/8 x 3/8	30	4.490	1988	-22 to +122	0.066
112 026 08	12 A 26	60	3/4 x 1/2	26	7.530	1083	-22 to +122	0.099
112 030 08	12 A 30	60	3/4 x 1/2	30	12.470	1260	-22 to +122	0.115
116 026 08	16 A 26	80	1 x 5/8	26	12.230	1319	-22 to +122	0.254
116 030 08	16 A 30	80	1 x 5/8	30	19.780	1339	-22 to +122	0.348

* universal for chain width of 1/8" to 5/16" 1/8" 到 5/16" 链条通用宽度

** at 20°C and maximum tensioning deformation; without dynamic tensioning force proportional to the chain speed 在20摄氏度和最大张紧变形；没有相对于链条速度的动态张紧力

雷诺德传动机械（杭州）有限公司

Renold (Hangzhou) Co., Ltd

地址：浙江省杭州市萧山区义桥镇东方路82号

Email: Info.cn@renold.com

传真：0571 - 85779231

如需更多信息，请访问我们的网站

www.renold.com

如有疑问，请拨打客户服务热线

400-826-1915



Want to find out more?
Scan this QR code with your smartphone.
No QR reader? Simply download one from
your app store.

RENOLD
Superior Chain Technology